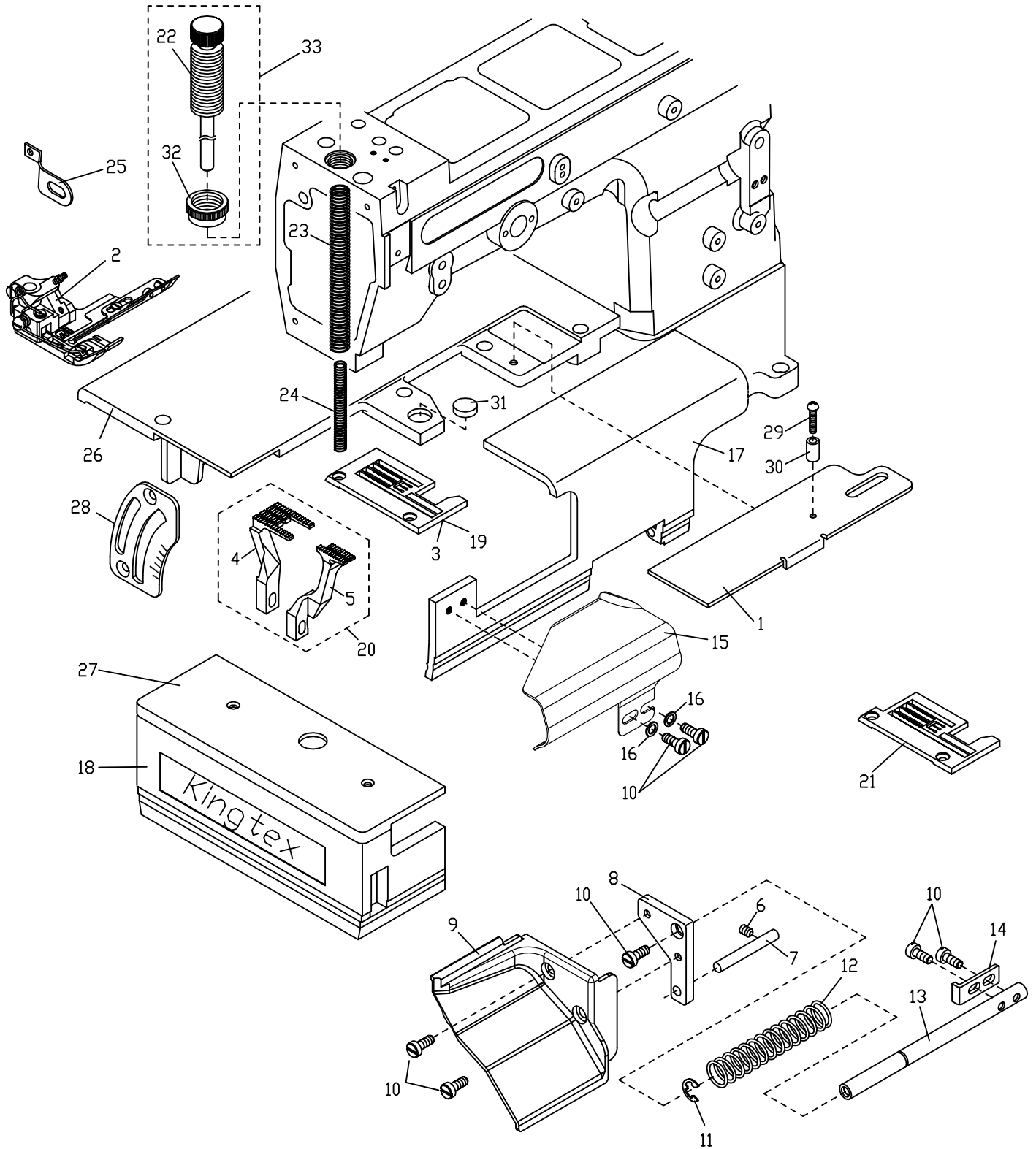


1. FT7069-4 / FTD7069-4 壓腳,針板,送布齒及各項護蓋
Press Foot, Needle Plate, Feed Dog And Conservation Covers



序號 Ref.No.	名稱 Description	針距 Distance Of Needles				
		3.2	4.0	4.8	5.6	6.4
2	壓腳 Presser Foot	5228PF69321	5228PF69401	5228PF69481	5228PF69561	5228PF69641
△3	針板 Needle Plate	5228TP69321	5228TP69401	5228TP69481	5228TP69561	5228TP69641
4	主送布齒 Main Feed Dog	5228FD69561	5228FD69561	5228FD69561	5228FD69561	5228FD69561
5	副送布齒 Diff Feed Dog	5228DF69320	5228DF69320	5228DF69320	5228DF69560	5228DF69560
20	送布齒組 Feed Dog Asm.	5228DG00051	5228DG00051	5228DG00051	5228DG00011	5228DG00011
*21	針板 Needle Plate	/	/	/	5228TP69562	5228TP69642
△△19	針板 Needle Plate	5228TP69323	5228TP69403	/	5228TP69563	5228TP69643

△ For M Type △△ For L Type * For TC009 M Type

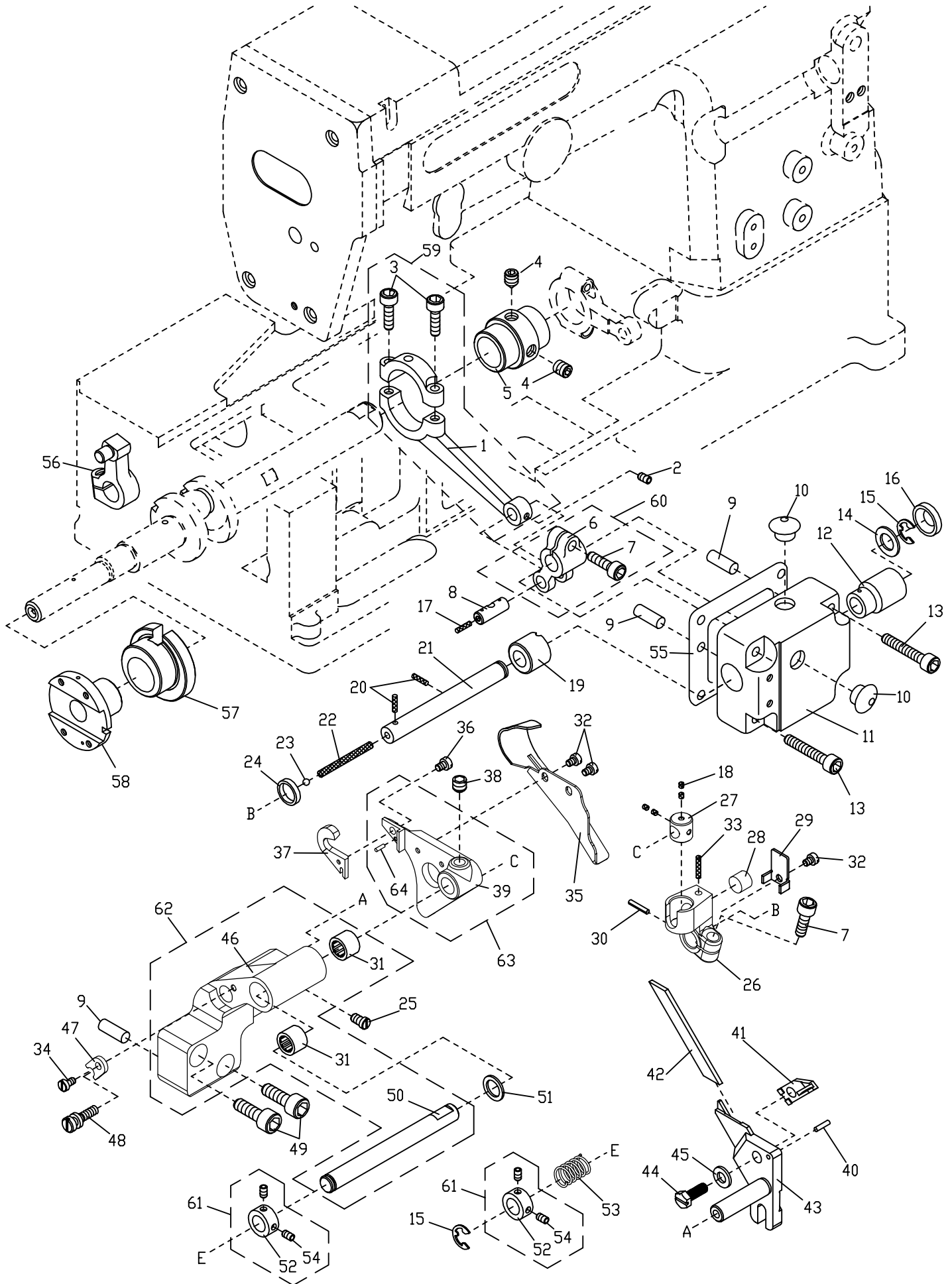
1. FT7069-4 / FTD7069-4 壓腳,針板,送布齒及各項護蓋列表

Press Foot, Needle Plate, Feed Dog And Conservation Covers

Ref.No. 序號	Parts No. 物料編號	Description 名稱	Amt. Req. 單位用量
1	22100901011	護線蓋 Cloth Plate -----	1
2	-----	壓腳 Presser Foot Asm -----	1
Δ3	-----	針板 Needle Plate -----	1
4	-----	主送布齒 Main Feed Dog -----	1
5	-----	副送布齒 Diff Feed Dog -----	1
6	8MN04280400A	螺絲 Screw (CT0229 M4-0.7*4) -----	1
7	2280690107	導桿 Slide Guide -----	1
8	2280690108	固定板 Cover Support -----	1
9	2280690109	導布屑 Chip Guide -----	1
10	8MB04281007K	螺絲 Screw (CT1237 M4-0.7*10) -----	7
11	90ER060	E形扣環 E Ring (CT0532)-----	1
12	2210090112	彈簧 Spring -----	1
13	2280690113	滑桿 Slide Bar -----	1
14	2210090114	止動片 Stopper -----	1
15	2280690115	導模 Edge Guide -----	1
16	2100000223	墊圈 Washer (SH0223) -----	2
17	2280690117	下座前蓋 Front Cover -----	1
18	2280390118	側蓋 Side Cover -----	1
ΔΔ19	-----	針板 Needle Plate -----	1
20	-----	送布齒組 Feed Dog Asm. -----	1
* 21	-----	針板 Needle Plate -----	1
22	2280690145	壓力調整螺椿 Spring Regulator -----	1
23	2280690146	彈簧 Spring -----	1
24	2280690147	彈簧 Spring -----	1
25	2210390129	護指環 Safety Plate Holder -----	1
26	2210090127	封蓋 Rear Cover -----	1
27	2280690141	左布板 Cloth Plate -----	1
28	2210390128	差動刻記板 Regulator Plate -----	1
29	8MC03201306D	螺絲 Screw (UTB0335 M3-0.5*12.5) -----	1
30	2210090120	手柄 Spacer -----	1
31	2210090126	磁鐵 Magnet -----	1
32	2220000803	螺帽 Nut -----	1
33	228A0690148	壓力調整螺椿組 Spring Regulator Asm. -----	1

** : FT7069-4 用 For FT7069-4

2. FT7069 / FT7069-2 / FTD7069-2 / FT7069-4 / FTD7069-4 / FTD7069-6 / FTD7069-6A
 上,下刀驅動機構 Right Hand Upper And Lower Knives Driving Mechanism Components



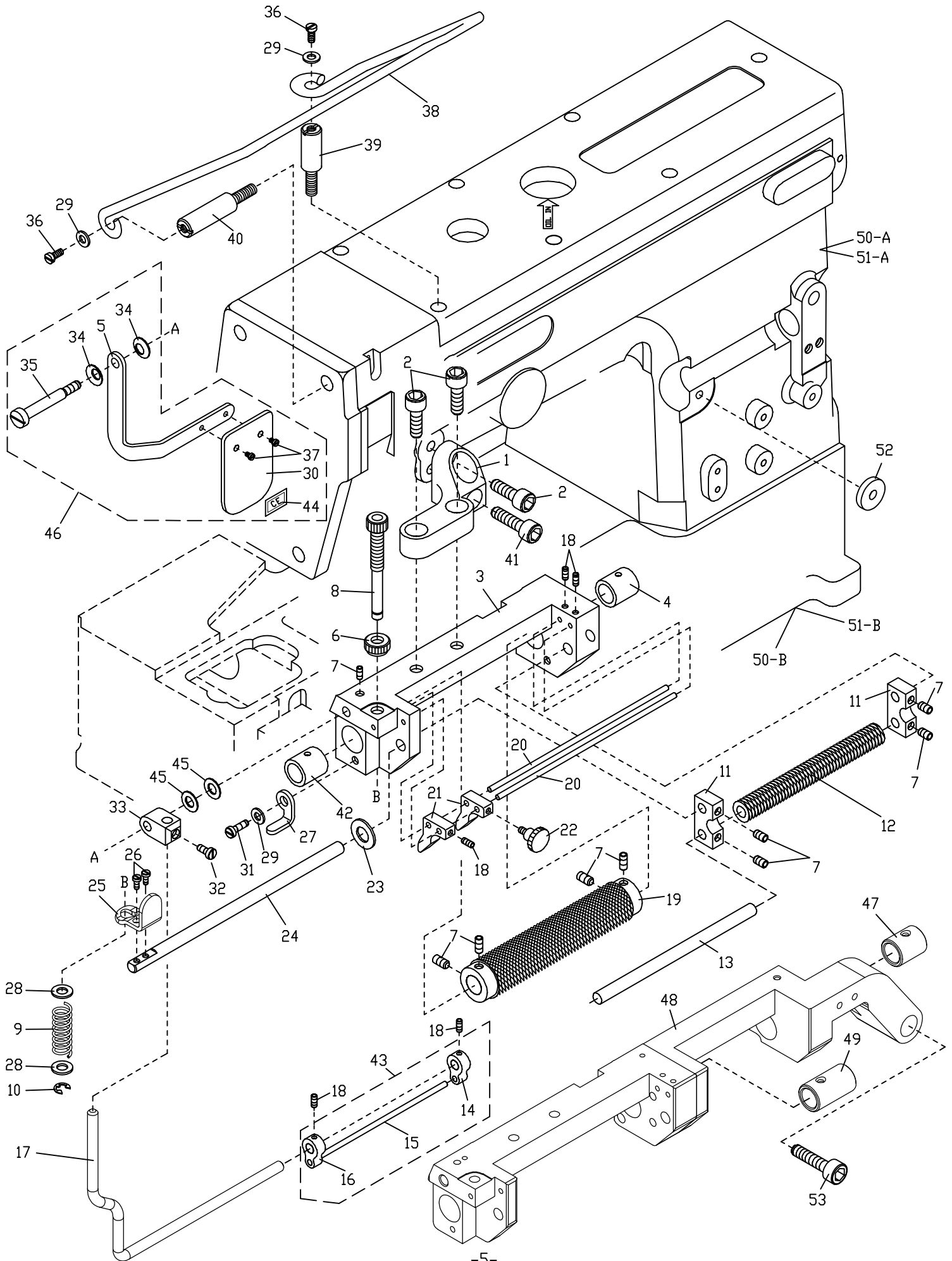
2. FT7069 / FT7069-2 / FTD7069-2 / FT7069-4 / FTD7069-4 / FTD7069-6 / FTD7069-6A

上、下刀驅動機構列表 Right Hand Upper And Lower Knives Driving Mechanism Components

序號 Ref.No.	物料編號 Parts No.	名稱 Description	單位用量 Amt. Req.
1	2210090201	連桿 Connecting Rod -----	1
2	8MN03200400C	螺絲 Screw (CT1242 M3-0.5*4)-----	1
3	8MM04281407A	螺絲 Screw (FT1003 M4-0.7*14)-----	2
4	8MN05320500E	螺絲 Screw (CT0903 M5-0.8*5)-----	2
5	2210090205	偏心輪 Eccentric -----	1
6	2210090206	曲柄 Lever -----	1
7	8MM05321209A	螺絲 Screw (FT0524 M5-0.8*12)-----	2
8	2210090208	曲柄銷 Rod Pin -----	1
9	2210090209	定位銷 Knock Pin -----	3
10	22000001091	孔塞 Seal Plug -----	2
11	2210090211	軸承座 Bracket -----	1
12	2210090212	軸襯 Bushing -----	1
13	8MM04282507B	螺絲 Screw (FT0719 M4-0.7*25)-----	4
14	2210000533	墊圈 Washer -----	1
15	90ER060	E形扣環 E Ring -----	2
16	22100902161	孔塞 Plug -----	1
17	66800	油線 Oil Wick -----	4
18	66800	油線 Oil Wick -----	1
19	2210090219	軸襯 Bushing -----	1
20	66800	油線 Oil Wick -----	2
21	2210090221	軸 Shaft -----	1
22	66800	油線 Oil Wick -----	1
23	2210090223	孔塞 Plug -----	1
24	2210090224	油封 Oil Seal -----	1
25	8MB04280705K	螺絲 Screw (FT1036 M4-0.7*7)-----	1
26	2280690226	曲柄 Lever -----	1
27	2280690227	擺動軸承 Rocker Bearing-----	1
28	2280690228	羊毛氈 Felt -----	1
29	2280690229	夾簧 Latch Spring -----	1
30	90SP0206	彈簧銷 Spring Pin -----	1
*31	90NB0812103	滾針軸襯 Needle Bearing.-----	2
32	8MB03200405A	螺絲 Screw (FT0548 M3-0.5*4)-----	3
33	66800	油線 Oil Wick -----	1
34	8MB03200506K	螺絲 Screw (CT0525 M3-0.5*5)-----	1
35	2280690235	導布屑 Chip Guard -----	1
36	8SB32440604K	螺絲 Screw (FT70690236 1/8"-44*5.5)-----	1
37	22806902371	上刀 Upper Knife -----	1
38	8MN06400500A	螺絲 Screw (C0513 M6-1*5)-----	1
*39	22806902391	上刀座 Upper Knife Holder Asm. -----	1
40	90ST0208	定位銷 Knock Pin -----	1
41	2210090241	壓板 Lower Knife Clamp -----	1
42	2210090242	下刀 Lower Knife -----	1
43	2280690243	下刀座 Lower Knife Holder -----	1
44	8SK44401207A	螺絲 Screw (FT70690244 11/64"-40*12)-----	1
45	2100000526	墊圈 Washer -----	1
*46	2280690246	下刀台 Lower Knife Holder Bracket -----	1
47	2280690247	止動片 Rotation Stopper -----	1
48	2280690248	螺樁 Stud -----	1
49	8MM06402010A	螺絲 Screw (SH0444 M6-1*20)-----	2
*50	2280690250	軸 Shaft -----	1
51	2280690251	墊圈 Washer -----	1
52	2210000534	定位環 Collar -----	2
53	2280690253	彈簧 Spring -----	1
54	8MN03200300A	螺絲 Screw (C0115 M3-0.5*3)-----	4
55	2210090255	油封 Gasket -----	1
56	2210390256	曲柄 Lever -----	1
57	2210600135	變距偏心輪 Regulating Eccentric (FT600135)-----	1
58	2210600136	進給偏心輪 Eccentric(FT600136)-----	1
59	221A0090256	連桿組 Connecting Rod Asm.-----	1
60	221A0090257	曲柄組 Lever Asm.-----	1
61	221A0000563	定位環組 Collar Asm. -----	2
62	228A0690262	刀台組 Bracket ASM. -----	1
*63	228A06902631	上刀座 Upper Knife Holder Asm. -----	1
*64	90ST0105	定位銷 Knock Pin -----	1

*: 需整組購買 Must be sold in complete set

3. FT7069 / FT7069-1 / FT7069-4 / FTD7069-4 送鬆緊帶傳送機構 (A) Metering Device Mechanism Components (A)



3. FT7069 / FT7069-1 / FT7069-4 / FTD7069-4 送鬆緊帶傳送機構列表 (A)

Metering Device Mechanism Components (A)

序號 Ref.No.	物料編號 Parts No.	名稱 Description	單位用量 Amt. Req.
1	2210390301	支架 Roller Holder Bracket	1
2	8MM06401610A	螺絲 Screw (CT0625 M6-1*16)	3
△3	2280690303	滾輪支架 Roller Holder	1
△4	2210090304	軸襯 Bushing	1
5	2210390305	護目鏡架 Safety Plate Holder	1
6	2280690306	調整螺帽 Adjusting Nut	1
7	8MN04280400A	螺絲 Screw (CT0229 M4-0.7*4)	9
8	2280690308	調節螺樁 Stud	1
9	2280690309	彈簧 Spring	1
10	90ER040	E型扣環 E-Ring	1
11	2210090311	從動滾輪臂 Arm	2
12	2210090312	從動滾輪 Tension Roller	1
13	2210090313	軸 Shaft	1
14	2210090314	右導模 Tape Guide(R)	1
15	2210090315	導模滑桿 Tape Guide Bar	1
16	2210090316	左導模 Tape Guide(L)	1
17	2280690317	導模承桿 Tape Guide Support Bar	1
18	8MN03200300A	螺絲 Screw (CT0115 M3-0.5*3)	5
19	2210090319	主動滾輪 Feeding Roller	1
20	2210090320	導模導桿 Tape Guide Bar	2
21	2280690321	導模 Tape Guide	2
22	2210090322	固定螺樁 Knob Screw Stud	1
23	2200000910	墊圈 Washer	1
24	2280690324	軸 Tension Link Shaft	1
25	2280690325	釋壓板手 Press Release	1
26	8MB03200606K	螺絲 Screw (CT1207 M3-0.5*6)	2
27	2280690327	限位片 Holder	1
28	2200001025	墊圈 Washer	2
29	2100000223	墊圈 Washer (W3)	3
30	2200001622	護目鏡 Safety Plate	1
31	8MB04281007K	螺絲 Screw (CT1237 M4-0.7*10)	1
32	8SB48280808A	螺絲 Screw (S0119 3/16"-28*8)	1
33	2210090333	接頭 Joint	1
34	2200000228	彈簧墊圈 Conical Spring Washer (CT0228)	2
35	8MB04283809E	螺樁 Stud (CT0227 M4-0.7*38)	1
36	8MC04281207D	螺絲 Screw(CT0102 M4-0.7*12)	2
37	8MB03200405A	螺絲 Screw (FT0548 M3-0.5*4)	2
38	4TB0000101	帶架 Tape Holder (FTB0101)	1
39	2210600116	螺樁 Stud (FT600116)	1
40	4TB0000103	螺樁 Stud (FTB0103)	1
41	8MM06402010A	螺絲 Screw (SH0444 M6-1*20)	1
42	2210390342	軸襯 Bushing	1
43	221A0090341	導模滑桿組 Tape Guide Bar Asm.	1
44	66451	貼紙 Paster	1
45	2200001025	墊圈 Washer	2
46	221A0390346	護目鏡組 Safety Plate Asm.	1
◎47	2230690347	軸襯 Bushing	1
◎48	2230690303	滾輪支架 Roller Holder	1
◎49	2230690304	軸襯 Bushing	1
** 50	2230690350	車頭 Frame Unit	1
** 50-A	2230690350A	車頭上座 Frame Unit	1
** 50-B	2280000128B	車頭下座 Frame Unit	1
* 51	2280690351	車頭 Frame Unit	1
* 51-A	2280690351A	車頭上座 Frame Unit	1
* 51-B	2280000128B	車頭下座 Frame Unit	1
*52	2280690352	墊圈 Washer	1
◎53	8MM05322209X	螺絲 Screw (NT01219 M5-0.8*22)	1

* : FT7069-4 用

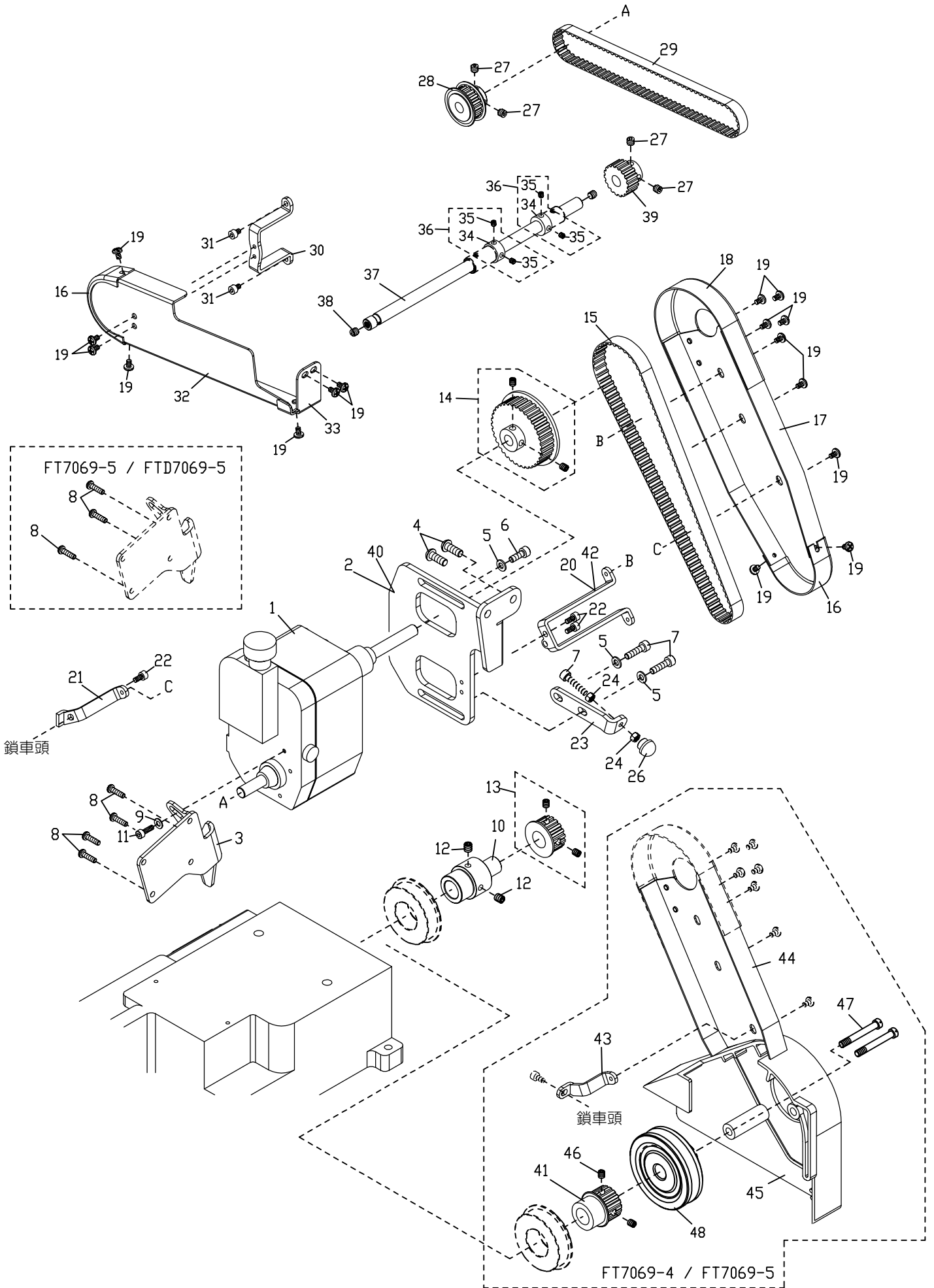
** : FTD7069-4 用

◎ : FT7069-4 / FTD7069-4 用

△ : FT7069 / FT7069-1 用

4. FT7069-4 / FTD7069-4 / FT7069-5 / FTD7069-5 送鬆緊帶傳送機構 (B)

Metering Device Mechanism Components (B)



4. FT7069-4 / FTD7069-4 / FT7069-5 / FTD7069-5 送鬆緊帶傳送機構列表 (B)

Metering Device Mechanism Components (B)

序號 Ref.No.	物料編號 Parts No.	名稱 Description	單位用量 Amt. Req.
1	2230690401	變速箱 -----	1
2	2230690402	支架 Roller Holder Bracket -----	-
3	2230690403	支架 Roller Holder Bracket -----	1
4	8MP06401611A	螺絲 Screw (MN021-01-07 M6-1*16) -----	2
5	2200000627	墊圈 Washer -----	4
6	8MM05321609A	螺絲 Screw (RP101-11 M5-0.8*16) -----	2
7	8MM05322209X	螺絲 Screw (TC013-1-20 M5-0.8*22) -----	3
8	8MC04281407D	螺絲 Screw (CT0225 M4-0.7*14) -----	-
9	2200000908	墊圈 Washer -----	2
10	2230690410	套筒 Joint -----	1
11	8MM04281407A	螺絲 Screw (F10-03 M4-0.7*14) -----	2
12	8MN06400600A	螺絲 Screw (C0244 M6-1*6) -----	2
13	2230690413	齒形皮帶輪 Timeing Pulley -----	1
14	2230690414	齒形皮帶輪 Timeing Pulley -----	1
15	90TB218XL	齒形皮帶 Timeing Belt (12.7 寬) -----	1
16	2230690416	護蓋 Cover -----	2
17	2230690417	護蓋 Cover -----	1
18	2230690418	護蓋 Cover -----	1
19	8MC04280608D	螺絲 Screw (UH01-69 M4-0.7*6) -----	-
20	22306904201	支架 Roller Holder Bracket -----	-
21	2230690421	支架 Roller Holder Bracket -----	-
22	8MM04280807A	螺絲 Screw (M01-24 M4-0.7*8) -----	1
23	2230690423	支架 Roller Holder Bracket -----	1
24	8MA05320408A	螺絲 Screw (C10-28 M5-0.8*4) -----	2
25	-----	-----	-
26	2230690426	套管 Clutch Sleeve -----	1
27	8MN05320500A	螺絲 Screw (EF01-44 M5-0.8*5) -----	4
28	2230690428	齒形皮帶輪 Timeing Pulley -----	1
29	90TB182XL	齒形皮帶 Timeing Belt (9.5 寬) -----	1
30	2230690430	支架 Roller Holder Bracket -----	1
31	8MM04280607A	螺絲 Screw (M11-34 M4-0.7*5) -----	2
32	2230690432	護蓋 Cover -----	1
33	2230690433	護蓋 Cover -----	1
34	2210001015	定位環 Collar -----	2
35	8MN04280400A	螺絲 Screw (CT0229 M4-0.7*4) -----	4
36	221A0001038	定位環組 Collar Asm. -----	2
37	2230690437	軸 Tension Link Shaft -----	1
38	8MN06400500A	螺絲 Screw (C0513 M6-1*5) -----	2
39	2230690439	齒形皮帶輪 Timeing Pulley -----	1
40	2280691040	支架 Roller Holder Bracket -----	-
41	2280691041	齒形皮帶輪 Timeing Pulley -----	-
42	2280691042	支架 Roller Holder Bracket -----	-
43	2280691043	支架 Roller Holder Bracket -----	-
44	2280691044	護蓋 Cover -----	-
45	2280691045	皮帶蓋 Belt Cover -----	-
46	8MN05320400A	螺絲 Screw (M09-44 M5-0.8*4) -----	-
47	8MB06404609S	螺絲 Screw (CT1502 M6-1*4) -----	-
48	2220000501	皮帶輪 Belt Pulley -----	-

FT7069-4 機型用

序號	8	19	40	41	42	43	44	45	46	47	48
用量	4	14	1	1	1	1	1	1	2	2	1

FT7069-5 機型用

序號	8	19	40	41	42	43	44	45	46	47	48
用量	3	14	1	1	1	1	1	1	2	2	1

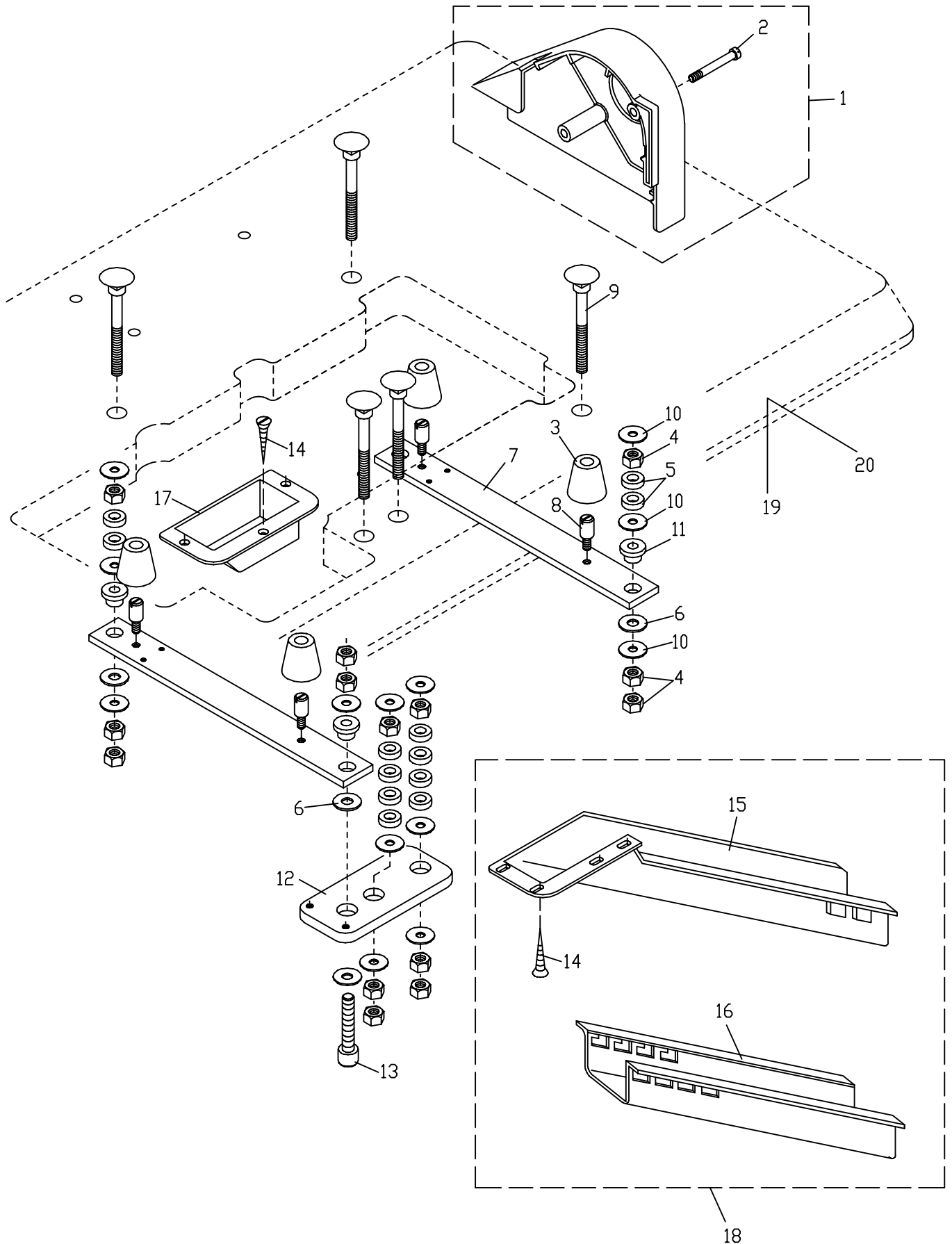
FTD7069-4 機型用

序號	2	8	19	20	21
用量	1	4	16	1	1

FTD7069-5 機型用

序號	2	8	19	20	21
用量	1	3	16	1	1

5. FT6539 / FT6339-2 / FT7039 / FT7039-2 / FT7069 / FT7069-2 / FTD7069-2 / FT7069-3
 FT7069-3A / FT7069-4 / FTD7069-4 / FT7069-5 / FTD7069-5 / FTD7069-6
 FTD7069-6A / FTD7069-7 / FTD7069-7A 車頭承載及導布屑裝置
 Supporting Board And Chute Components



5. FT6539 / FT6539-2 / FT7039 / FT7039-2 / FT7069 / FT7069-2 / FTD7069-2
 FT7069-3 / FT7069-3A / FT7069-4 / FTD7069-4 / FT7069-5 / FTD7069-5
 FTD7069-6 / FTD7069-6A / FTD7069-7 / FTD7069-7A

車頭承載及導布屑裝置列表 Components Supporting Board And Chute

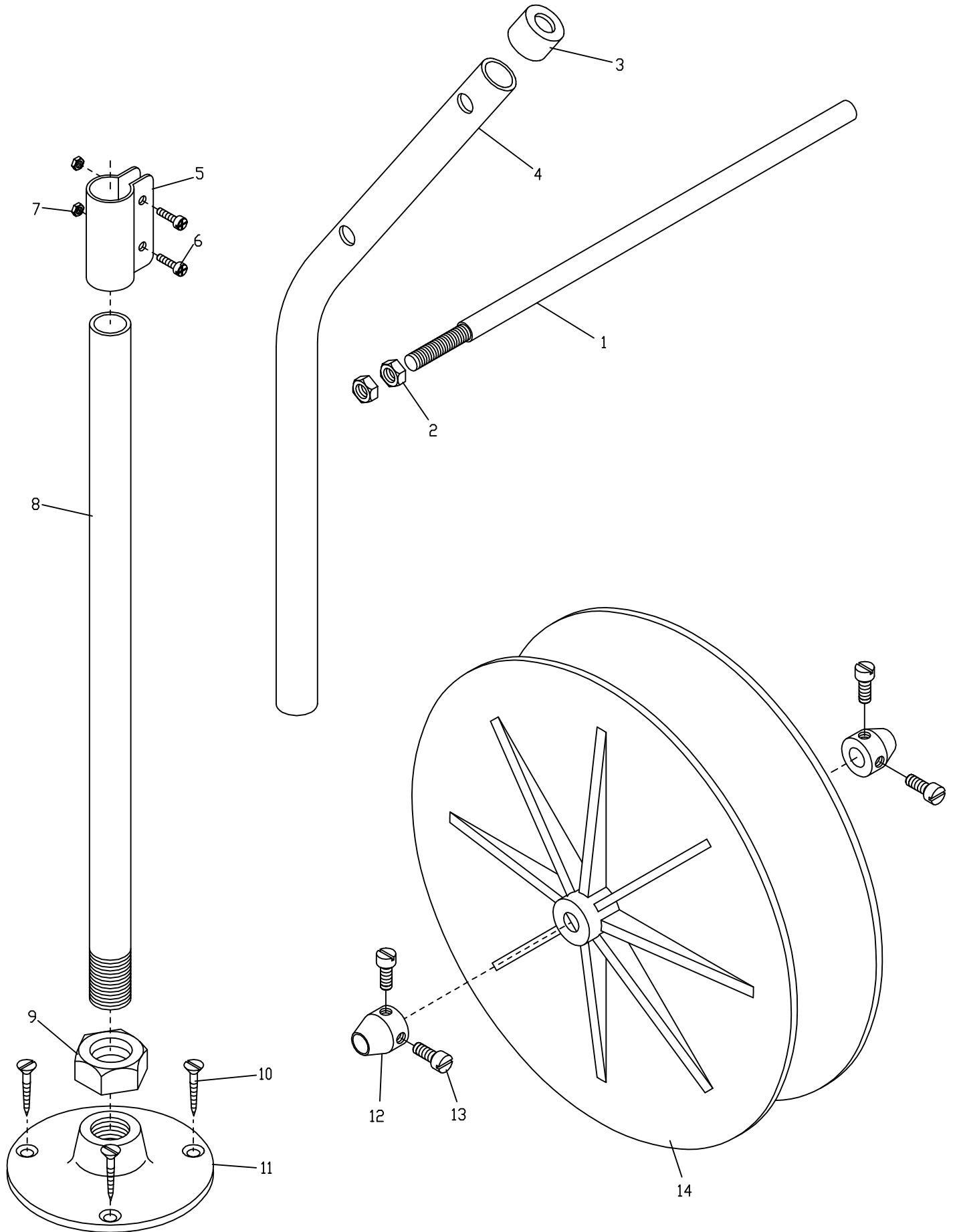
序號 Ref.No.	物料編號 Parts No.	名稱 Description	單位用量 Amt. Req.
*1	2200001501	皮帶蓋 Belt Cover -----	1
*2	8MB06404609S	螺絲 Screw (CT1502 M6-1*46) -----	2
3	66945	減震橡膠 Rubber Cushion -----	4
4	8SA79180613A	螺帽 Nut (CT1514 5/16"-18*6)-----	17
5	2210001505	隔環 Spacer -----	14
6	2200001513	橡膠墊圈 Rubber Washer -----	4
7	2210001507	車頭承板 Supporting Board -----	2
8	8MB06401512M	螺樁 Bolt (FT1508 M6-1*10) -----	4
9	8SC79189627B	懸吊螺樁 Bolt (CT1509 5/16"-18*63)-----	5
10	2200001510	墊圈 Washer -----	17
11	2200001511	橡膠環 Rubber Washer -----	4
12	2210090612	承板 Chute Support -----	1
13	2210090613	螺絲 Screw -----	1
14	2210090614	木螺釘 Wood Screw -----	7
15	2210090615	上導布屑 Chute (Upper) -----	1
16	2210090616	下導布屑 Chute (Lower) -----	1
17	2210090617	導布屑 Chute -----	1
18	221A0090618	布漏組 Chute Asm. -----	1
**19	66812-9	車板 Table -----	1
***20	66812-3	車板 Table -----	1

* : FT6539 / FT6539-2 / FT7039 / FT7039-2 / FT7069 / FT7069-2 / FT7069-3 / FT7069-3A 用

** : FTD7069-2 / FTD7069-4 / FTD7069-5 / FTD7069-6 / FTD7069-6A / FTD7069-7 / FTD7069-7A 用

*** : FT6539 / FT6539-2 / FT7039 / FT7039-2 / FT7069 / FT7069-2 / FT7069-3 / FT7069-3A / FT7069-4 / FT7069-5 用

6. TS003 滾條架 Tape Stand



6. TS003 滾條架 Tape Stand

序號 Ref.No.	物料編號 Parts No.	名稱 Description	單位用量 Amt. Req.
1	4TS0030101	軸 Shaft -----	1
2	8SA79180613A	螺絲 Screw (CT1514 5/16"-18*6) -----	2
3	4TS0060103	柱帽 Rod Cup -----	1
4	4TS0060104	上柱 Upper Thread Stand Rod -----	1
5	4TS0060105	接頭 Bracket -----	1
6	8SC48321708D	螺絲 Screw -----	2
7	8SA48320409B	螺帽 Nut -----	2
8	4TS0060108	下柱 Lower Thread Stand Rod -----	1
9	4TS0060109	螺帽 Nut -----	1
10	8WF50202210A	木螺絲 Wood Screw -----	3
11	4TS0060111	座 Stand Base -----	1
12	4TS0030112	限動環 Stop Collar -----	2
13	8SH56320500A	螺絲 Screw -----	4
14	4TS0050101	承盤 Plastic Plate -----	2